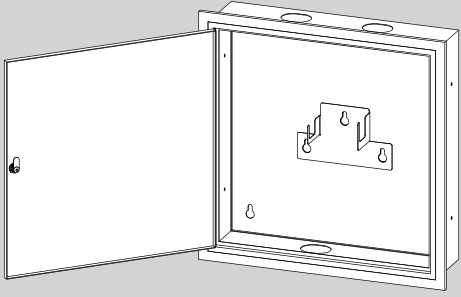


INSTRUCTIONS FOR MODELS

STW-SC2 Cabinet for Medium Thermostatic Mixing Valve (STW-362)



NEED HELP?

For additional assistance or service please contact:

SPEAKMAN® Company
400 Anchor Mill Road
New Castle, DE 19720

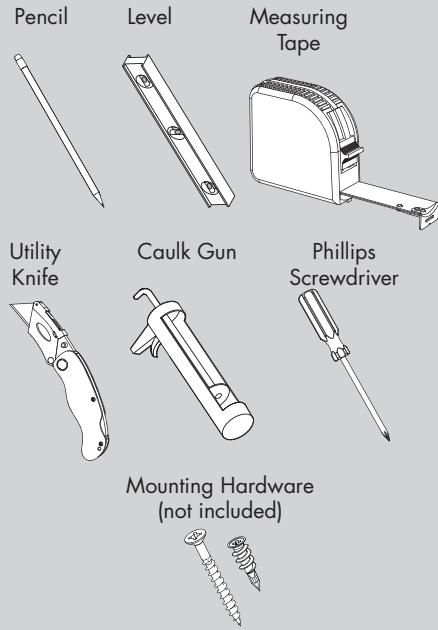
800-537-2107

customerservice@speakman.com

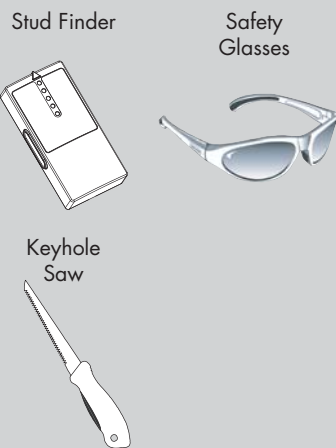
www.speakman.com

92-STW-SC2-01

TOOLS AND SUPPLIES



HELPFUL TOOLS & SUPPLIES:



IMPORTANT

- Ensure the mounting structure and mounting hardware can safely support the product in use.
- Do not over-tighten any connections or damage may occur.
- Be sure to read instructions thoroughly before beginning installation.

SAFETY TIPS

Be sure to wear eye protection.

MAINTENANCE

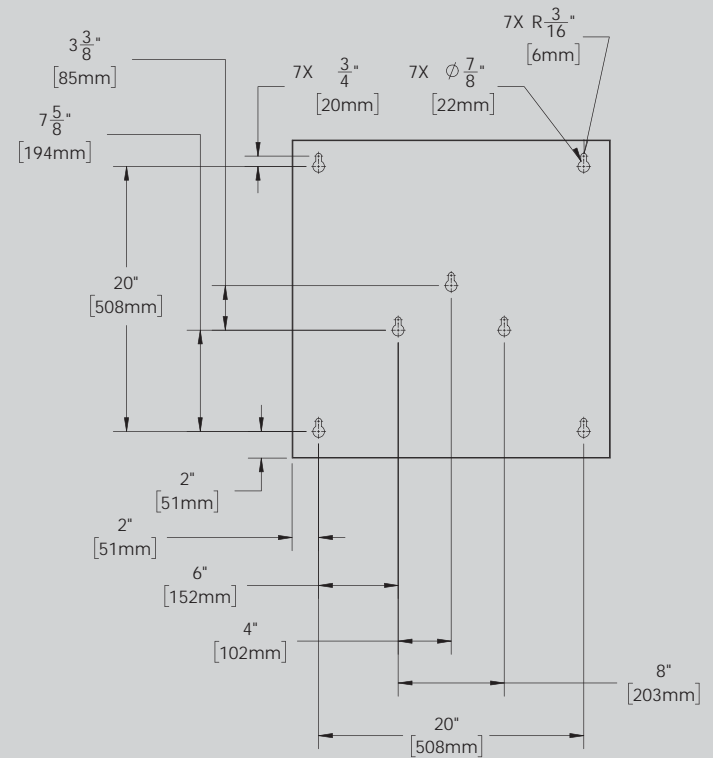
Your new Speakman Product is designed for years of trouble-free performance. Keep it looking new by cleaning it periodically with a soft cloth. The use of harsh chemicals and abrasives on any of the Speakman custom finish products may damage the finish and void the product warranty. Please be sure to only use approved cleaners. Please contact Speakman for any clarification of acceptable cleaners.

WARRANTY

Warranty information can be found at:
www.speakman.com

1 SURFACE MOUNTED CABINET

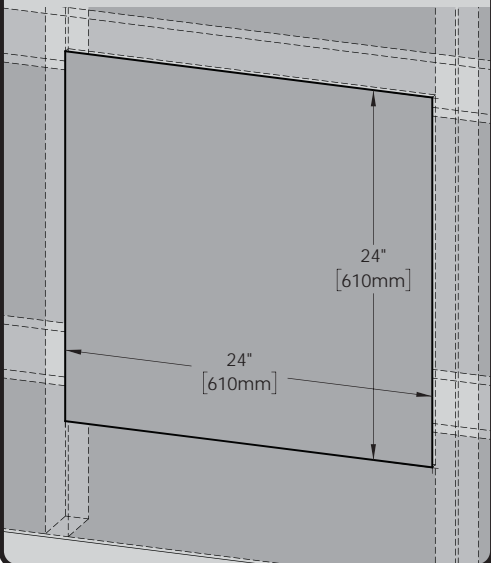
Determine desired mounting position of Cabinet and Valve. Ensure mounting location and mounting hardware are capable of supporting the product in use. Mark the seven (7) mounting locations onto surface.



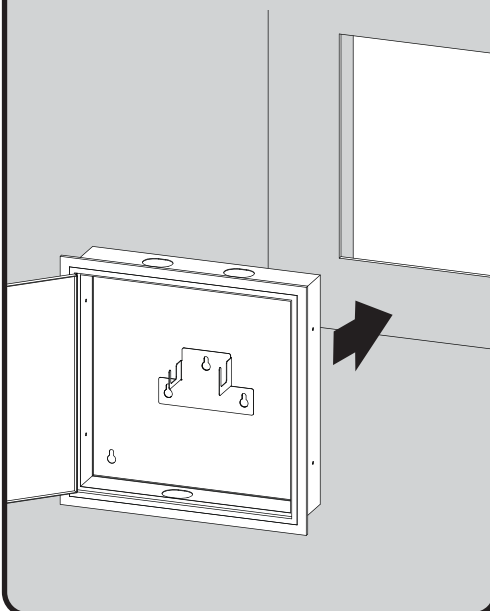
SKIP TO STEP 5

2 RECESS MOUNTED CABINET

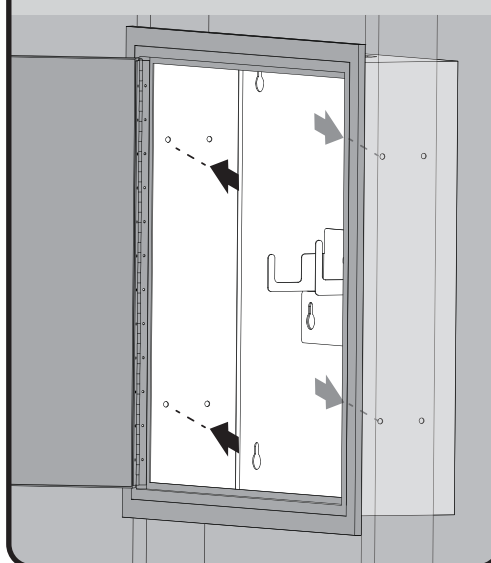
Ensure proper mounting structure is present within the wall cavity. Measure and cut out wall opening using appropriate tools.



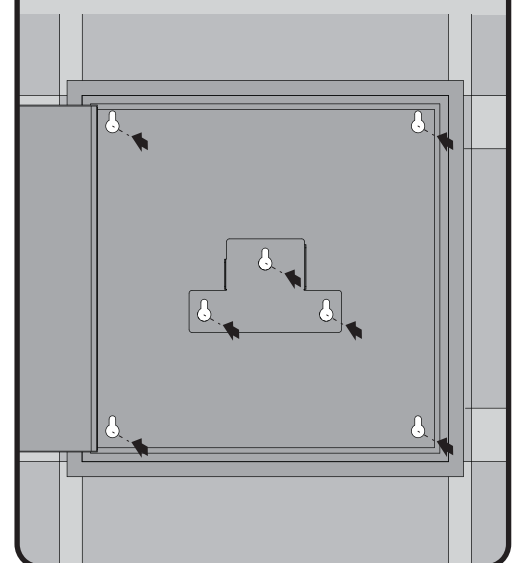
3 Insert the Cabinet in the rough in opening. Make sure it is level. If it doesn't fit, adjust the hole opening.



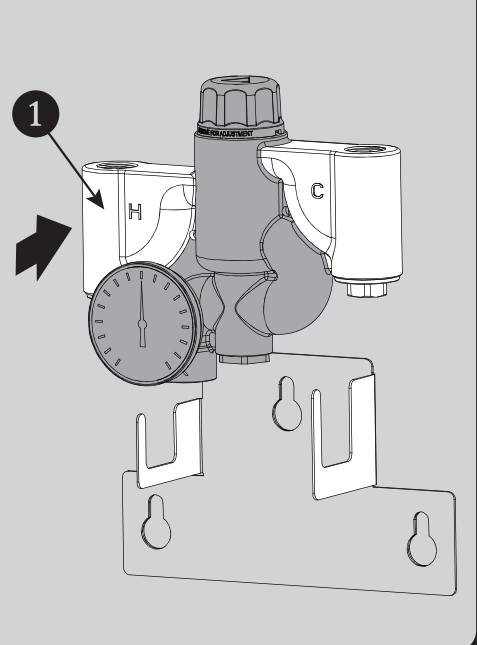
4 Knock out required holes to secure Left Side of Cabinet and Right Side of Cabinet to wall with eight (8) 1/4\" fasteners properly anchored (supplied by installer). Ensure the mounting surface (wall, etc.) and mounting hardware can safely support the product in use.



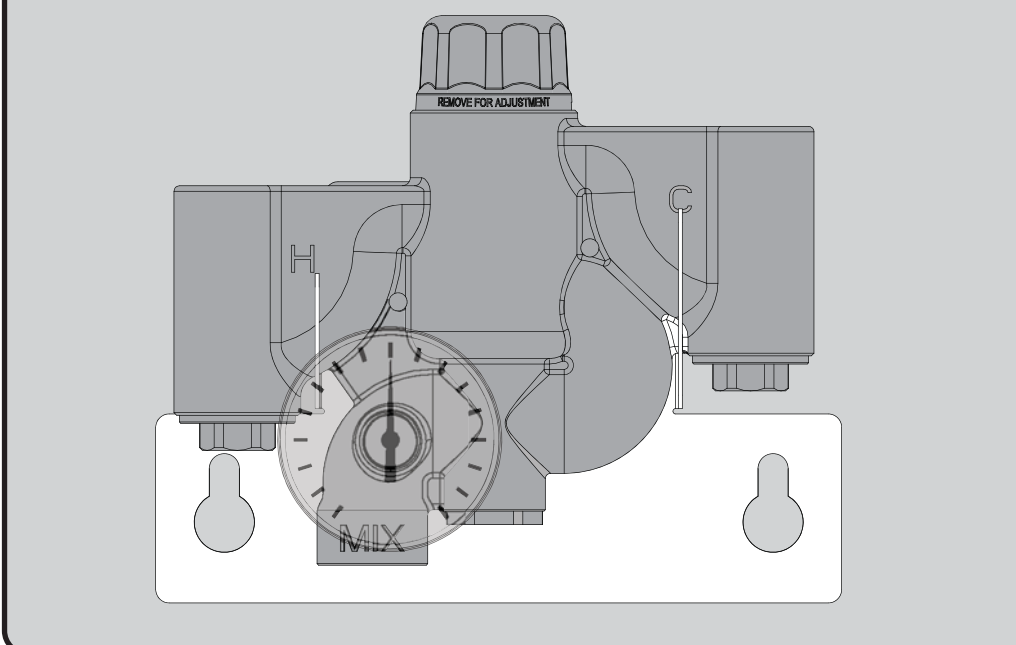
5 Install mounting hardware through the seven (7) mounting locations into a secure brace (supplied by installer) or into wall. This will support the Valve. Ensure the mounting structure and mounting hardware can safely support the product in use.



6 Position the Valve (1) above the Support Bracket within the Cabinet.



7 Insert Valve into Mounting Bracket as shown below. Ensure Valve is fully seated into bracket.



8 If the Cabinet is recess mounted, install the Flange Trim and Caulk it in place.

